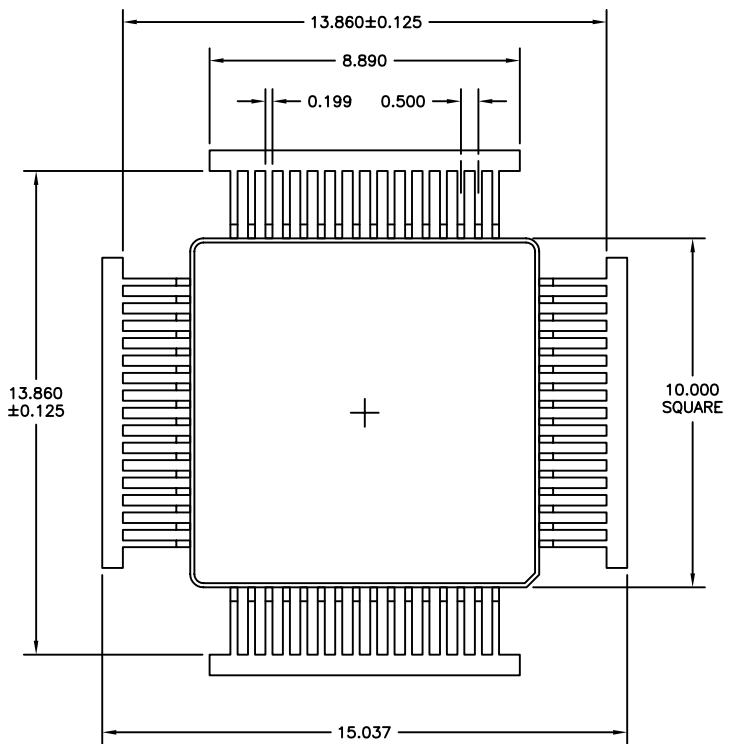
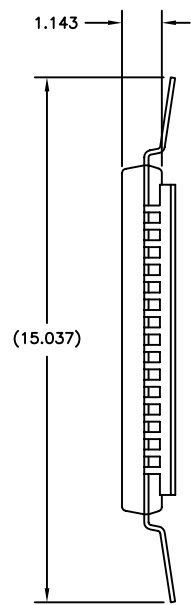
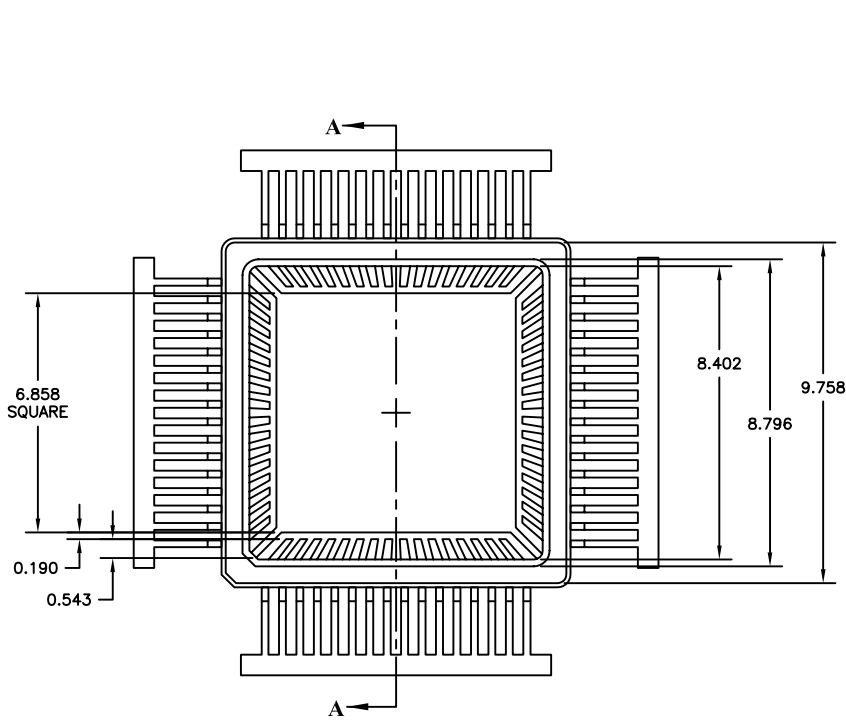


REVISIONS			
ECN NO.	DATE	DESCRIPTION	APPROVED
10542	11/4/05	PRODUCTION RELEASE	D.BENANDO



NOTES:
 BODY : PLASTIC, SEMICONDUCTOR GRADE
 LEAD FRAME : COPPER, 194 FH
 LEAD FINISH : FULL GOLD PLATE
 FRAME THICKNESS : 0.127mm +/-0.0076mm (.0050" +/- .0003")
 DIE PAD : 6.858mm X 6.858mm (.270 X .270)
 JEDEC OUTLINE: MS-026

THIRD ANGLE PROJECTION

UNLESS OTHERWISE SPECIFIED
 DIMENSIONS ARE IN MILLIMETERS
 TOLERANCES ARE:
 X.XX ± 0.15 X.XXXX ± ---
 X.XXX ± 0.127 ANGLES: ± 1°

DO NOT SCALE DRAWING

DRAWN BY	W. GRIFFITTS	DATE	11/3/05
APP BY	P. FLASKERUD	DATE	11/3/05
CUSTOMER	---		
THIS DOCUMENT CONTAINS INFORMATION PROPRIETARY TO SEMPAC, INC. AND REPRODUCTION OR ISSUE IN ANY FORM IS NOT PERMITTED WITHOUT WRITTEN AUTHORITY FROM SEMPAC, INC.			

SEMPAC, INC.
 Open-Pak™ Technologies
 www.sempac.com
 568 E. WEDDELL DRIVE, SUITE 5
 SUNNYVALE, CALIFORNIA 94089
 PHONE: (408) 400-9002 FAX: (408) 400-9006

64 Lead 10mm x 10mm LQFP
 Open-Pak

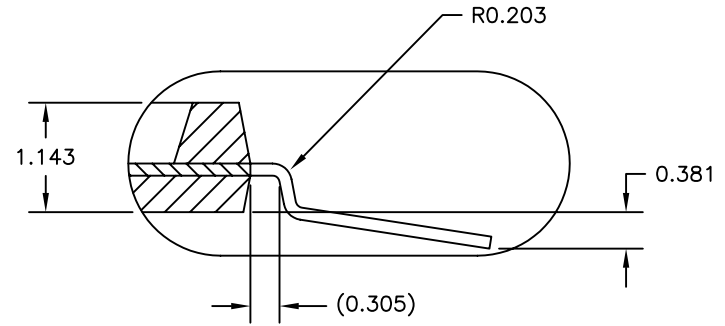
SIZE	PART NO.	REV
A	LQFP10X10-64-OP-01	2
SCALE	NONE	CAD FILE
	LQFP10X10-64-OP-01-1-R2.DWG	SHEET 1 OF 2

2

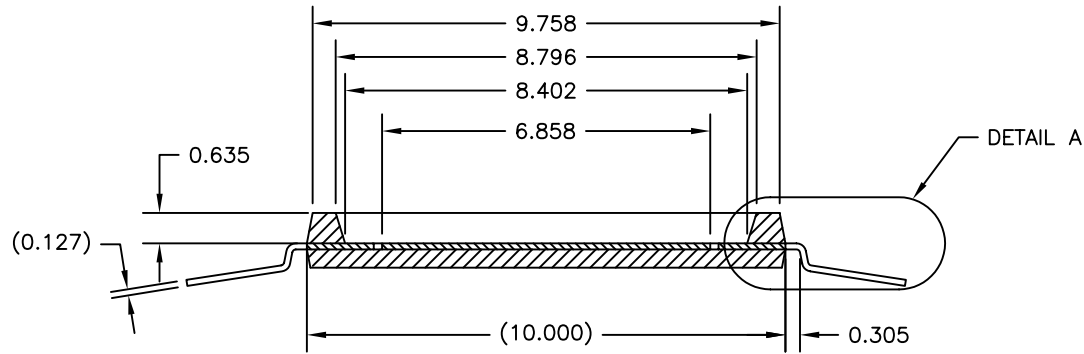
1

C

C



DETAIL A
SCALE: 2/1



SECTION A-A
SCALE: 1/1
VIEW ROTATED 90° CCW

A

A

SEMPAC, INC.
 Open-Pak™ Technologies
 www.sempac.com
 568 E. WEDDELL DRIVE, SUITE 5
 SUNNYVALE, CALIFORNIA 94089
 PHONE: (408) 400-9002 FAX: (408) 400-9006

UNLESS OTHERWISE SPECIFIED DIMENSIONS ARE IN MILLIMETERS	SIZE	PART NO.	REV
	A	LQFP10X10-64-OP-01	2
DO NOT SCALE DRAWING	SCALE: NONE	CAD FILE	SHEET 2 OF 2
		LQFP10X10-64-OP-01-2-R2.DWG	

2

1